



PMT Series

Regulated, Adjustable, Microsize
DC / DC High Voltage Power Supplies

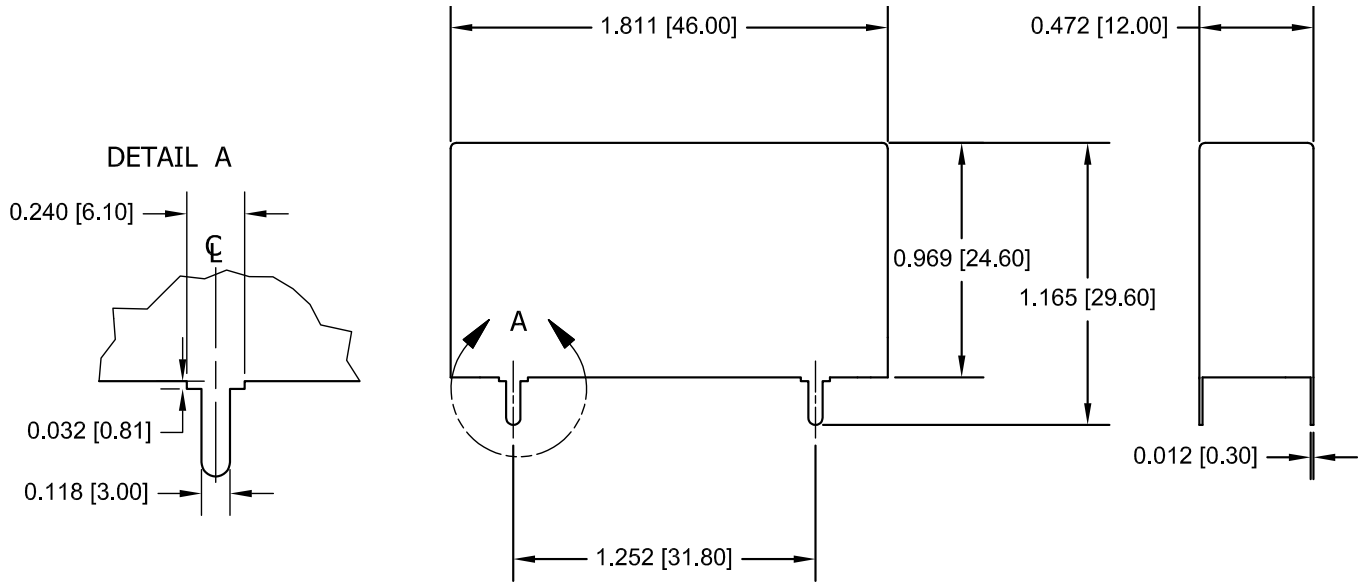
Features

- Low Ripple
- Short Circuit Protected
- Reversed Input Protected
- Small Size
- Excellent Stability

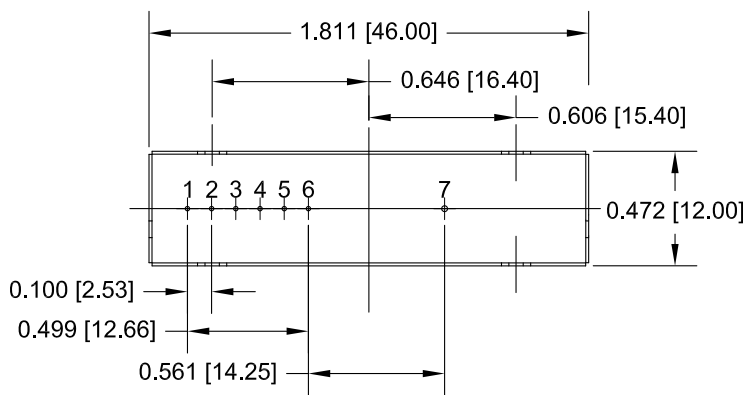


Conditions		Value											Units			
Input																
Input Voltage		12			15			24								VDC
Input Current	At Max Load	150			150			120								mA
Output																
Voltage Range	Primary Output	0 to 600			0 to 1000			0 to 1250			0 to 1500					VDC
Current	Max Load	0.83	1.33	1.67	0.5	0.8	1	0.4	0.64	0.8	0.33	0.53	0.67	mA		
Power		0.5	0.8	1	0.5	0.8	1	0.5	0.8	1	0.5	0.8	1	W		
Ripple (p-p)	Max Load	< 0.005											%			
Load Regulation	From No Load to Full Load	< 0.02											%			
Line Regulation		< 0.01											%			
Polarity		Fixed Positive and Fixed Negative											-			
Control & Monitoring																
Output Voltage Control		0 to 5											V			
Reference Voltage		5											V			
Voltage Monitor		1											V/kV			
Environmental																
Operating Temperature	Case Temp, Full Load, Max Vo	-10 to +65											°C			
Temperature Coefficient		0.01											%/°C			
Storage Temperature		-40 to +85											°C			
Operational Humidity	Non-Condensing	5 to 95%											RH			

Case Diagram



Pin Dimensions & Assignments



PIN ASSIGNMENT	
1	V _{IN}
2	Gnd
3	Gnd
4	Control Voltage
5	V _{REF} = +5V
6	V _{MON}
7	HV Output

(Drilling Data for PC Board – Soldering Face)

Models

Part Number	Input Voltage	Output Voltage	Polarity	Output Power	Output Current
PMT-12-600N-0.5	12 VDC	0 to 600 V	Positive	0.5 W	0.83 mA
PMT-12-600P-0.5	12 VDC	0 to -600 V	Negative	0.5 W	0.83mA
PMT-12-1000N-0.5	12 VDC	0 to 1,000 V	Positive	0.5 W	0.50 mA
PMT-12-1000P-0.5	12 VDC	0 to -1,000 V	Negative	0.5 W	0.50 mA
PMT-12-1250N-0.5	12 VDC	0 to 1,250 V	Positive	0.5 W	0.40 mA
PMT-12-1250P-0.5	12 VDC	0 to -1,250 V	Negative	0.5 W	0.40 mA
PMT-12-1500N-0.5	12 VDC	0 to 1,500 V	Positive	0.5 W	0.33 mA
PMT-12-1500P-0.5	12 VDC	0 to -1,500 V	Negative	0.5 W	0.33 mA
PMT-15-600N-0.8	15 VDC	0 to 600 V	Positive	0.8 W	1.33 mA
PMT-15-600P-0.8	15 VDC	0 to -600 V	Negative	0.8 W	1.33 mA
PMT-15-1000N-0.8	15 VDC	0 to 1,000 V	Positive	0.8 W	0.80 mA
PMT-15-1000P-0.8	15 VDC	0 to -1,000 V	Negative	0.8 W	0.80 mA
PMT-15-1250N-0.8	15 VDC	0 to 1,250 V	Positive	0.8 W	0.64 mA
PMT-15-1250P-0.8	15 VDC	0 to -1,250 V	Negative	0.8 W	0.64 mA
PMT-15-1500N-0.8	15 VDC	0 to 1,500 V	Positive	0.8 W	0.53 mA
PMT-15-1500P-0.8	15 VDC	0 to -1,500 V	Negative	0.8 W	0.53 mA
PMT-24-600N-1	24 VDC	0 to 600 V	Positive	1.0 W	1.67 mA
PMT-24-600P-1	24 VDC	0 to -600 V	Negative	1.0 W	1.67 mA
PMT-24-1000N-1	24 VDC	0 to 1,000 V	Positive	1.0 W	1.00 mA
PMT-24-1000P-1	24 VDC	0 to -1,000 V	Negative	1.0 W	1.00 mA
PMT-24-1250N-1	24 VDC	0 to 1,250 V	Positive	1.0 W	0.80 mA
PMT-24-1250P-1	24 VDC	0 to -1,250 V	Negative	1.0 W	0.80 mA
PMT-24-1500N-1	24 VDC	0 to 1,500 V	Positive	1.0 W	0.67 mA
PMT-24-1500P-1	24 VDC	0 to -1,500 V	Negative	1.0 W	0.67 mA

Certifications
